

Optifeed™ & PIC™ Systems



Ergonomic Atmospheric Powder Induction Technology

Advanced Mixing Technologies

Designed to handle higher viscosities and higher powder feed rates

The Admix Powder Induction Systems provide rapid introduction and wetting out of dry solids and/or liquid ingredients. The Optifeed OES and PIC Systems can process from 20-90 kg/min of dry or liquid materials depending upon system settings and process conditions. An integrated control valve enables system setting adjustments, without the need for a trained mechanic, allowing processors to take full advantage of the superior suction capabilities of this powder induction technology.



PIC™ System



Standard PIC system includes a 100 liter powder hopper, ergonomic waist-high work table, sanitary powder suction pump, powder valve, vacuum gauge, vacuum regulator valve, control box for pump and interconnecting piping

BENEFITS TO YOUR PROCESS:

- ✓ Reduce operator injury
- ✓ Improve product quality
- ✓ Reduce the risk of accidents
- ✓ Increase ingredient functionality
- ✓ Reduce mix times
- ✓ Fast ingredient addition
- ✓ No more wasted ingredients
- ✓ Improve yields

OES™ System

Standard OES system includes a 100 liter powder hopper and modular frame at floor level for easy access to load ingredients



- ✓ Powder induction capacities up to 90 kg/minute
- ✓ Viscosity capability of 2.500 cps and 78% maximum solids
- ✓ All 304/316SS construction with CIP capability
- ✓ Optional wand attachment available
- ✓ Integrated sanitary clamps, valves and piping
- ✓ Optional NEMA 4X controls for pump
- ✓ Pre-engineered models for quick shipment

**ASK US
ABOUT OUR
TRIAL PROGRAM**

Ergonomic Design Prevents Operator Injury

The OES and PIC Systems feature an ergonomic waist-high hopper for the addition of all ingredients required in the mix and utilize a high performance powder suction pump to convey from 1-90 kg/min of any powder or solid. The PIC System also includes an ergonomic work table and washdown integral control panel.

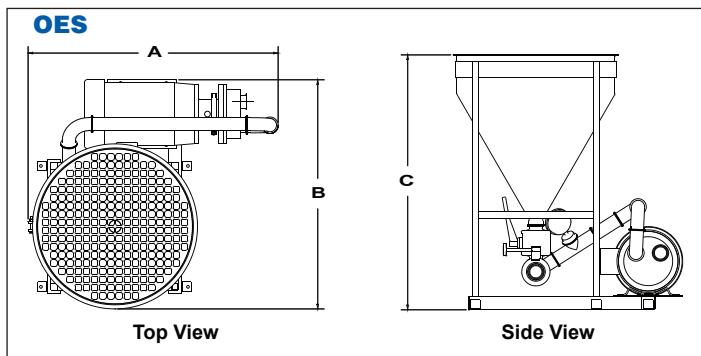
Standard Features:

- 100% made in the USA, all fittings are standard Tri-Clamp® type
- 304/316 stainless steel construction
- Easily and cost effectively adapted to your specific space requirements and restrictions

Options:

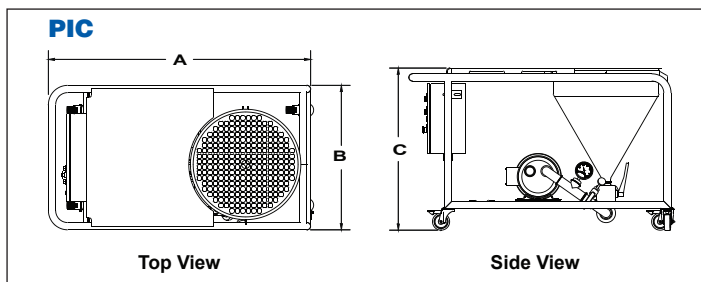
- Electropolished hopper and wetted parts
- Special hopper design for difficult powders, to include air sparge, water flush, and vibration systems
- Alternate pipe fittings available
- Various motor types for pump drive
- Actuated valves
- A® compliant components
- Special elastomers
- Double seal for high solids processing, with protection against dry running

	OES-E200	OES-V200	OES-V250	PIC200	PIC250
Sanitary ball valve (hopper)	50,8 mm	50,8 mm	63,5 mm	50,8 mm	63,5 mm
Hopper diameter/volume	610 mm/100 ltr	610 mm/100 ltr	610 mm/100 ltr	610 mm/100 ltr	610 mm/100 ltr
Flow control valve(s) (mm)	N/A	50,8	63,5	50,8	63,5
Motor (washdown duty)	5,5 kW Stainless	5,5 kW Stainless	11,5 kW White Epoxy	5,5 kW White Epoxy	11,5 kW White Epoxy
Motor controls	N/A	N/A	N/A	✓	✓
Work table	N/A	N/A	N/A	✓	✓
Swivel casters	N/A	N/A <td N/A	✓	✓	
Optional grate	✓	✓	✓	✓	✓
Double seal	✓	✓	✓	✓	✓



(mm)

Model	A	B	C
OES-E200	965	890	990
OES-V200	965	890	990
OES-V250	990	915	990
PIC-200	1.524	840	940
PIC-250	1.805	1.145	965



Typical Operation for Powder Induction

For materials that are easily dissolved or suspended, the system discharge can be sent directly to the next step in the process.

If materials require shear to properly disperse, deagglomerate or emulsify, they can be recirculated through a batch tank with an in-tank high shear mixer, such as Rotosolver® and Rotostat®. Alternately, the material can be processed through an Admix DynaShear® or Boston Shearmill™ for in-line high shear mixing, without the need for a batch mixer.

For ultimate processing capabilities, our Fastfeed® powder induction & dispersion skid integrates the DynaShear and the PIC module.

Basic Rules for Use

- Maximum viscosity before or after ingredient introduction is 2.500 cps.
- Maximum allowable head on discharge is 0,7 bar. If head loss exceeds recommended levels, a booster pump on the discharge piping should be installed.
- Minimum incoming flow rate for the system is 135 ltr/min.

www.admix.com/powder-induction-mixer

For more information:

**EMPLOYEE OWNED ...
CUSTOMER FOCUSED**